



GFCI Solutions

XG2, G200 & 7000 Series
1060 & 1070 and 1075 Series

EXPERIENCE. **INNOVATION.** EXPERTISE.

SCAN HERE



XG2 Series Inline GFCI

Portable Power



ERICSON
SAFETY IS OUR STANDARD

Industry Leading Features:

- Ⓢ cETLus listed for US and Canada
- Ⓢ NOM listed for Mexico
- Ⓢ Complies with the latest US, Canadian & Mexico Requirements for Self Testing GFCI & Open Neutral Protection- UL943-5th Edition, UL1640, CSA22.1
- Ⓢ Available in Auto and Manual Reset Options
- Ⓢ Exceeds NEMA 4X & 6P water ingress protection
- Ⓢ Available with Hazardous Location plug & connector
- A variety of 15-20A custom configurations are available (see pg 5)

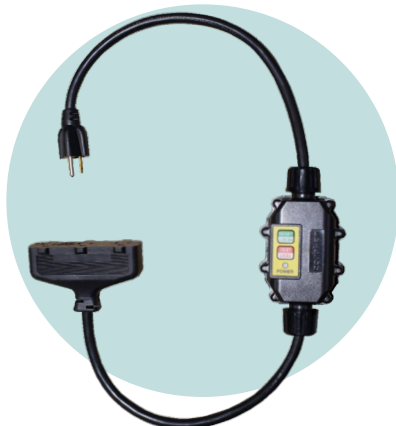
Ⓢ *Industry Leading, Ericson Exclusive*



XG2-14-2S



XG2-12-2W-15



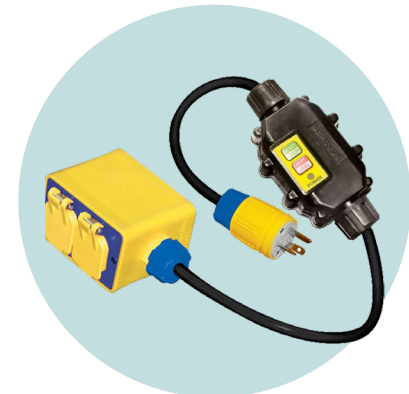
XG2-12-2TT



XG2-12-4W-CPH



XG2-12-2BW-15-UGP



XG2-12-2BW

Unique Features:



Exceeds NEMA 4X Face and NEMA 6P Submersible Requirements



UL943-5th Edition Self-Testing Module with Open Neutral Protection

Selection Guide:

XG2, 15-Amp 120-Volt In-line GFCI Cordsets:

Part number	Reset Type	Overall Length	Primary Plug	Secondary Connector
15 Amp Models				
NEMA 5-15 Plug to 5-15 Connector				
XG2-14-2S *	AUTO	2	5-15P Molded	Molded 5-15C
XG2-14-25S *	AUTO	25	5-15P Molded	Molded 5-15C
NEMA 5-15 Plug to 5-15 Tri-Tap Connector				
XG2-12-2TT	AUTO	2	5-15P Molded	5-15C TRI-TAP
XG2-12-50TT	AUTO	50	5-15P Molded	5-15C TRI-TAP
NEMA 5-15 Plug to NEMA 5-15 Connector				
XG2-12-2G-15	AUTO	2	5-15P Perma-Grip	5-15C Perma-Grip
XG2-12-10G-15	AUTO	10	5-15P Perma-Grip	5-15C Perma-Grip
XG2-12-25G-15	AUTO	25	5-15P Perma-Grip	5-15C Perma-Grip
XG2-14-25G	AUTO	25	5-15P Perma-Grip	5-15C Perma-Grip
XG2-12-50G-15	AUTO	50	5-15P Perma-Grip	5-15C Perma-Grip
XG2-12-2G-MR-15	MANUAL	2	5-15P Perma-Grip	5-15C Perma-Grip
XG2-12-25G-MR-15	MANUAL	25	5-15P Perma-Grip	5-15C Perma-Grip
NEMA 5-15 Plug to NM 6000 Box & (2) NEMA 5-15 Duplex Receptacles				
XG2-12-2B-15	AUTO	2	5-15P Molded	(2) 5-15R Duplex in 6000 Box
XG2-12-10B-15	AUTO	10	5-15P Molded	(2) 5-15R Duplex in 6000 Box
XG2-12-25B-15	AUTO	25	5-15P Molded	(2) 5-15R Duplex in 6000 Box
XG2-12-50B-15	AUTO	50	5-15P Molded	(2) 5-15R Duplex in 6000 Box
XG2-12-10B-MR-15	MANUAL	10	5-15P Molded	(2) 5-15R Duplex in 6000 Box
XG2-12-50B-MR-15	MANUAL	50	5-15P Molded	(2) 5-15R Duplex in 6000 Box
NEMA 5-15 Plug to Blunt Secondary				
XG2R-12-2BS-15	AUTO	2	5-15P Molded	Blunt end
XG2R-12-10BS-15	AUTO	10	5-15P Molded	Blunt end
XG2R-12-25BS-15	AUTO	25	5-15P Molded	Blunt end
XG2R-12-50BS-15	AUTO	50	5-15P Molded	Blunt end
XG2R-12-25BS-MR-15	MANUAL	25	5-15P Molded	Blunt end
XG2R-12-50BS-MR-15	MANUAL	50	5-15P Molded	Blunt end
Blunt Primary to Blunt Secondary				
XG2R-12-25BB-MR-LP	MANUAL	25	Blunt end	Blunt end
NEMA 5-15 Industrial Grade Watertight Plug to NEMA 5-15 Industrial Grade Watertight Connector				
XG2-12-2W-15	AUTO	2	5-15P Perma-Tite	5-15C Perma-Tite
XG2-12-10W-15	AUTO	10	5-15P Perma-Tite	5-15C Perma-Tite
XG2-12-25W-15	AUTO	25	5-15P Perma-Tite	5-15C Perma-Tite
XG2-12-50BW-15	AUTO	50	5-15P Perma-Tite	5-15C Perma-Tite
XG2-12-50W-15	AUTO	50	5-15P Perma-Tite	5-15C Perma-Tite
XG2-12-2W-MR-15	MANUAL	2	5-15P Perma-Tite	5-15C Perma-Tite
XG2-12-10W-MR-15	MANUAL	10	5-15P Perma-Tite	5-15C Perma-Tite
XG2-12-50W-MR-15	MANUAL	50	5-15P Perma-Tite	5-15C Perma-Tite
NEMA 5-15 Industrial Grade Watertight Plug to NM 6000 Box & (2) NEMA 5-15 Duplex Receptacles with Weather Proof Cover				
XG2-12-2BW-15	AUTO	2	5-15P Perma-Tite	(2) 5-15R Duplex in 6000 Box
XG2-12-25BW-15	AUTO	25	5-15P Perma-Tite	(2) 5-15R Duplex in 6000 Box
XG2-12-2BW-MR-15	MANUAL	2	5-15P Perma-Tite	(2) 5-15R Duplex in 6000 Box
Hazardous Location Plug to NM 6000 Box & (2) NEMA 5-15 Duplex Receptacles with Weather Proof Cover				
XG2-12-2BW-15	AUTO	2	5-15P Perma-Tite	(2) 5-15R Duplex in 6000 Box
XG2-12-25BW-15	AUTO	25	5-15P Perma-Tite	(2) 5-15R Duplex in 6000 Box
XG2-12-2BW-MR-15	MANUAL	2	5-15P Perma-Tite	(2) 5-15R Duplex in 6000 Box
Hazardous Location Plug to NM 6000 Box & (2) NEMA 5-15 Duplex Receptacles with Weather Proof Cover				
XG2-12-2BW-15-UGP15231	AUTO	2	XP 5-15P HAZ LOC	(2) 5-15R Duplex in 6000 Box

* 14/3 cable. All others 12/3.

Selection Guide:

XG2, 20-Amp 120-Volt In-line GFCI Cordsets:

Part Number	Reset Type	Overall Length	Primary Plug	Secondary Connector
20 Amp Models				
NEMA 5-20 Industrial Grade Plug & Connector				
XG2-12-2G	AUTO	2	5-20P Perma-Grip	5-20C Perma-Grip
XG2-12-10G	AUTO	10	5-20P Perma-Grip	5-20C Perma-Grip
XG2-12-25G	AUTO	25	5-20P Perma-Grip	5-20C Perma-Grip
XG2-12-50G	AUTO	50	5-20P Perma-Grip	5-20C Perma-Grip
XG2-12-2G-MR	MANUAL	2	5-20P Perma-Grip	5-20C Perma-Grip
XG2-12-10G-MR	MANUAL	10	5-20P Perma-Grip	5-20C Perma-Grip
XG2-12-50G-MR	MANUAL	50	5-20P Perma-Grip	5-20C Perma-Grip
NEMA 5-20 Industrial Grade Locking Plug & Connector				
XG2-12-2G-LKG	AUTO	2	L5-20P Perma-Grip	L5-20C Perma-Grip
XG2-12-2W-LKG	AUTO	2	L5-20P Perma-Tite	L5-20C Perma-Tite
XG2-12-10W-LKG	AUTO	10	L5-20P Perma-Tite	L5-20C Perma-Tite
XG2-12-25G-LKG	AUTO	25	L5-20P Perma-Grip	L5-20C Perma-Grip
XG2-12-25W-LKG	AUTO	25	L5-20P Perma-Tite	L5-20C Perma-Tite
XG2-12-50W-LKG	AUTO	50	L5-20P Perma-Tite	L5-20C Perma-Tite
XG2-12-2W-MR-LKG	MANUAL	2	L5-20P Perma-Tite	L5-20C Perma-Tite
XG2-12-10W-MR-LKG	MANUAL	10	L5-20P Perma-Tite	L5-20C Perma-Tite
NEMA 5-20 Industrial Grade Plug to NM 6000 Box & (2) NEMA 5-20 Duplex Receptacles				
XG2-12-2B	AUTO	2	5-20P Perma-Grip	(2) 5-20R Duplex in 6000 box
XG2-12-10B	AUTO	10	5-20P Perma-Grip	(2) 5-20R Duplex in 6000 box
XG2-12-25B	AUTO	25	5-20P Perma-Grip	(2) 5-20R Duplex in 6000 box
XG2-12-50B	AUTO	50	5-20P Perma-Grip	(2) 5-20R Duplex in 6000 box
XG2-12-2B-MR	MANUAL	2	5-20P Perma-Grip	(2) 5-20R Duplex in 6000 box
NEMA 5-20 Industrial Grade Watertight Plug & Industrial Grade Watertight Connector				
XG2-12-2W	AUTO	2	5-20P Perma-Tite	5-20C Perma-Tite
XG2-12-10W	AUTO	10	5-20P Perma-Tite	5-20C Perma-Tite
XG2-12-25W	AUTO	25	5-20P Perma-Tite	5-20C Perma-Tite
XG2-12-50W	AUTO	50	5-20P Perma-Tite	5-20C Perma-Tite
XG2-12-2W-MR	MANUAL	2	5-20P Perma-Tite	5-20C Perma-Tite
NEMA 5-20 Industrial Grade Watertight Plug to NM 6000 Box & (2) NEMA 5-20 Duplex Receptacles with Weather Proof Cover				
XG2-12-2BW	AUTO	2	5-20P Perma-Tite	(2) 5-20R Duplex in 6000 box
XG2-12-10BW	AUTO	10	5-20P Perma-Tite	(2) 5-20R Duplex in 6000 box
XG2-12-25BW	AUTO	25	5-20P Perma-Tite	(2) 5-20R Duplex in 6000 box
XG2-12-50BW	AUTO	50	5-20P Perma-Tite	(2) 5-20R Duplex in 6000 box
XG2-12-25BW-MR	MANUAL	25	5-20P Perma-Tite	(2) 5-20R Duplex in 6000 box
Hazardous Location Plug to Non Hazardous Location Industrial Grade Watertight Connector				
XG2-12-2W-UGP20231	AUTO	2	XP 5-20P HAZ LOC	5-20C Perma-Tite
XG2-12-4W-CPH-3023BC	AUTO	4	XP 30A HAZ LOC	5-20C Perma-Tite
XG2-12-4W-MR-CPH-3023BC	MANUAL	4	XP 30A HAZ LOC	5-20C Perma-Tite

XG2 Custom Design Form

Please complete the form below and send to your Ericson Representative or directly to your Ericson Channel & Applications Team at sales@ericson.com.

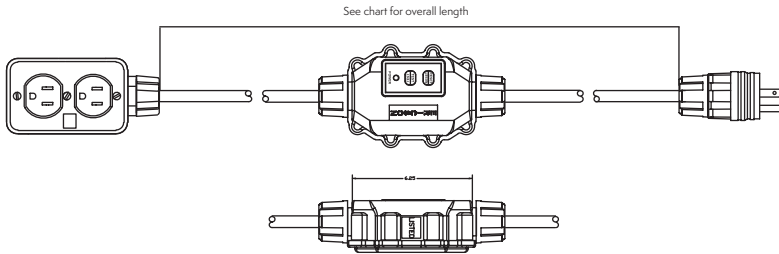
120

1

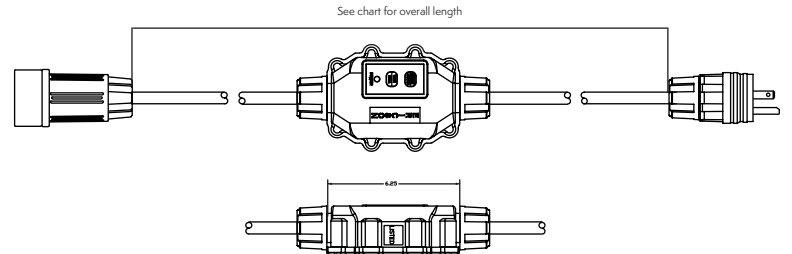
Voltage	Amps	Environmental Rating	Primary Plug	Primary Length	Reset Type	Overall Length	Secondary Connector
120V	15 20 30	Indoor = IND Outdoor = OUT	Blunt = Blunt Molded Plug 5-15 = MP5-15 Straight Blade 15-30A = NP5-XX Locking L5-15, L5-20 = LP5-XX Locking L6-15, L6-20, L6-30 = LP6-XX IEC - Pin & Sleeve - 20-30A = 3XXP6W Crouse-Hinds (add 15-30A catalog number) Appleton (add 15-30A plug catalog number) Killark (add 15-30A plug catalog number) Meltric (add 15-30A plug catalog number)	1 ft	Automatic = A Manual = M	2' = 02 10' = 10 25' = 25 50' = 50 Custom = 02 - 50	Blunt = Blunt Molded Connector 5-15 = MC5-15 Straight Blade 15-30A = NC5-XX Locking L5-15, L5-20 = LC5-XX Locking L6-15, L6-20, L6-30 = LC6-XX 7000 TriPlex - select secondary configuration e.g 7000- R5-XX, L5-XX IEC - Pin & Sleeve - 20-30A = 3XXC6W Crouse-Hinds (add 15-30A catalog number) Appleton (add 15-30A plug catalog number) Killark (add 15-30A plug catalog number) Meltric (add 15-30A plug catalog number)

Product Outlines:

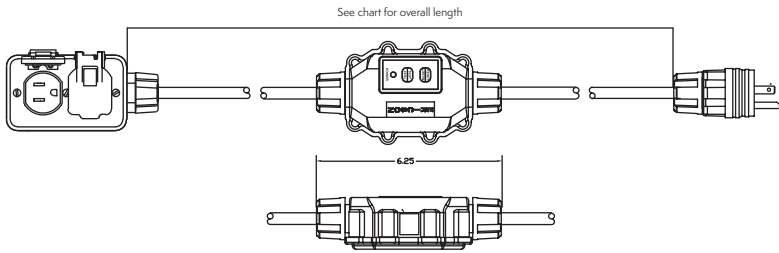
XG2-12-2B



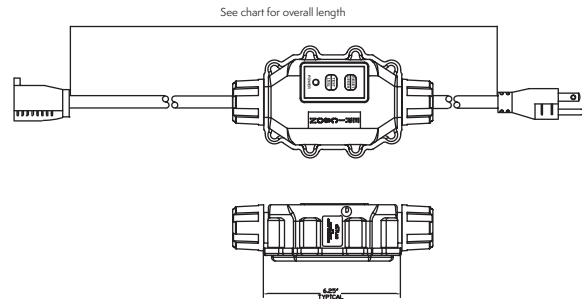
XG2-12-XXW



XG2-14-XXBW



XG2-14 -XS



G200 Series

20 & 30-Amp, 240V Manual Reset In-Line GFCI



Industry Leading Features:

- Ⓢ cETLus listed for US and Canada
- Ⓢ NOM listed for Mexico
- Ⓢ Complies with the latest US, Canadian & Mexico Requirements for Self Testing GFCI & Open Neutral Protection- UL943-5th Edition, UL1640, CSA22.1
 - 15-30A, 240v, Manual Reset
 - 15-30A custom configurations are available in a variety of primary and secondary connections & lengths (see pg 7)
 - G200 GFCI module only accepts 12/3 or 10/3 SOW
 - Available with Hazardous Location plug & connectors
 - Several standard and custom configurations available

Ⓢ *Industry Leading, Ericson Exclusive*



Selection Guide:

Part Number	Amps	Reset Type	Overall Length	Primary Plug	Secondary Connector
Bare Unit					
G200	1	Manual	None	None	None
Industrial Grade Indoor Plug & Connector					
20 Amp Models					
G200-10-2G-L620	20	Manual	2	L6-20 Plug	L6-20 Connector
G200-10-25G-L620	20	Manual	25	L6-20 Plug	L6-20 Connector
G200-10-50G-L620	20	Manual	50	L6-20 Plug	L6-20 Connector
30 Amp Models					
G200-10-2G-L630	30	Manual	2	L6-30 Plug	L6-30 Connector
G200-10-25G-L630	30	Manual	25	L6-30 Plug	L6-30 Connector
G200-10-50G-L630	30	Manual	50	L6-30 Plug	L6-30 Connector
Industrial Grade Watertight Plug & Connector					
20 Amp Models					
G200-10-2W-L620	20	Manual	2	L6-20 Watertight Plug	L6-20 Watertight connector
G200-10-25W-L620	20	Manual	25	L6-20 Watertight Plug	L6-20 Watertight connector
G200-10-50W-L620	20	Manual	50	L6-20 Watertight Plug	L6-20 Watertight connector
30 Amp Models					
G200-10-2W-L630	30	Manual	2	L6-30 Watertight Plug	L6-30 Watertight connector
G200-10-25W-L630	30	Manual	25	L6-30 Watertight Plug	L6-30 Watertight connector
G200-10-50W-L630	30	Manual	50	L6-30 Watertight Plug	L6-30 Watertight connector

G200 Custom Design Form

Please complete the form below and send to your Ericson Representative or directly to your Ericson Channel & Applications Team at sales@ericson.com.

240

1

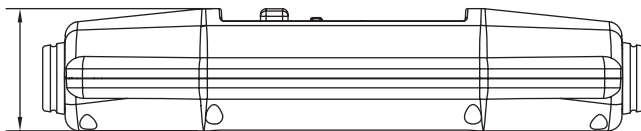
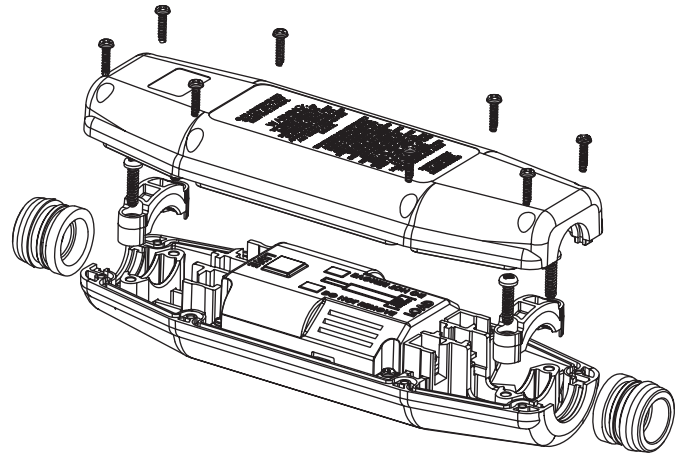
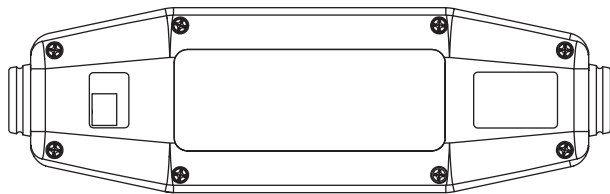
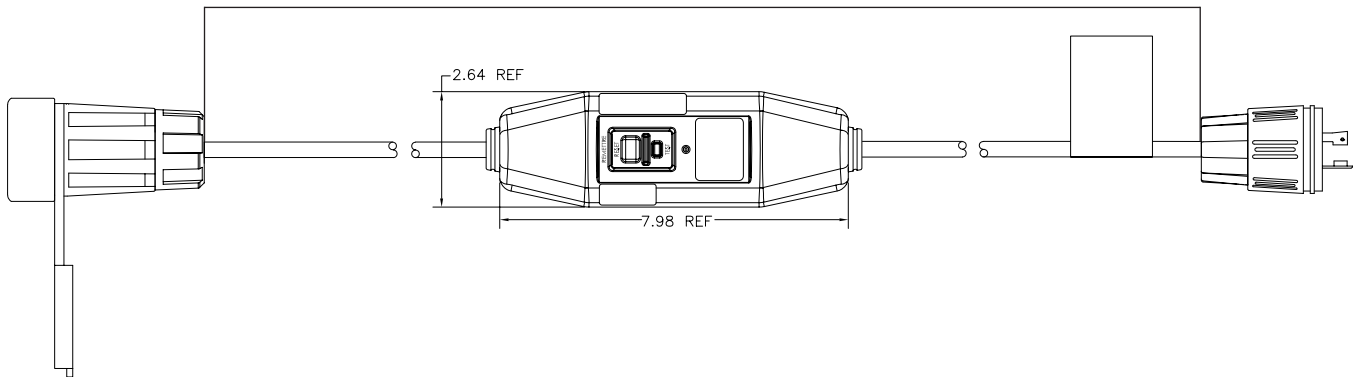
M

Voltage	Amps	Environmental Rating	Primary Plug	Primary Length	Reset Type	Overall Length	Secondary Connector
240V	15 20 30	Indoor = IND Outdoor = OUT	Blunt = Blunt Locking L6-15, L6-20, L6-30 = LP6-XX IEC - Pin & Sleeve - 20-30A, 240V Crouse-Hinds (add 15-30A, 240V catalog number) Appleton (add 15-30A, 240V plug catalog number) Killark (add 15-30A, 240V plug catalog number) Meltric (add 15-30A, 240V plug catalog number)	1ft	Manual = M	2' = 02 10' = 10 25' = 25 50' = 50 Custom = 02 - 50	Blunt = Blunt Locking L6-15, L6-20, L6-30 = LC6-XX 7000 TriPlex - select secondary configuration e.g 7000-L6-15, L6-20, L6-30 IEC - Pin & Sleeve - 20-30A, 240V Crouse-Hinds (add 15-30A, 240V catalog number) Appleton (add 15-30A, 240V plug catalog number) Killark (add 15-30A, 240V plug catalog number) Meltric (add 15-30A, 240V plug catalog number)

Product Outlines:

G200

See chart for overall length



1.75 REF

7000 Series

15 & 20-Amp, 120-Volt, Tri-Plex Outlet Box with GFCI Protection



Industry Leading Features:

- ☑ Complies with the latest US, Canadian & Mexico Requirements for Self Testing GFCI & Open Neutral Protection- UL943-5th Edition, UL1640, CSA22.1
- ☑ Available in Auto and Manual Reset Options
- ☑ XG2 GFCI Module Exceeds NEMA 4X & 6P water ingress protection
 - 15-20A custom straight blade & locking configurations are available in
- ☑ a variety of primary and secondary connections & lengths (see pg 5)
 - Available with Hazardous Location plug & connector
- ☑ Secondary cord available in a variety of lengths
- ☑ Molded of rugged thermoplastic elastomer (TPE)
- ☑ Resists jobsite chemicals and oils
 - Cover plate and non-conductive cord clamp molded from impact & chemical resistant PBT

Industry Leading, Ericson Exclusive



Factory Wired Tri-Plex		Voltage	Amperage	Reset Type	Plug & Receptacle Configuration
#12/3 SJTW					
25' Overall	50' Overall				
7000-25-4GF	7000-50-4GF	120	15	Auto*	5-15
7002-25-2GF	7002-50-2GF		20		5-20
7020-25-2GF	7020-50-2GF		20		L5-20

* See page 5 for custom configurations.

1075 Series

20-Amp, 120-Volt Panel Mounted GFCI



Industry Leading Features:

- ☑ cETLus listed for US and Canada
- ☑ NOM listed for Mexico
- ☑ Complies with the latest US, Canadian & Mexico Requirements for Self Testing GFCI & Open Neutral Protection- UL943-5th Edition, UL1640, CSA22.1
- ☑ Manual and Automatic Power-up Options
- ☑ Impact Resistant Polycarbonate Case
- ☑ Panel Mount and Field Replaceable PDU Options

Industry Leading, Ericson Exclusive



Catalog Number	Reset Type*	Description	Volts	Amps	Watts
1075-AR	Auto	Panel Mount GFCI	120V	20A	2400
1075-ARKIT*	Auto				
1075-MR	Manual				
1075-MRKIT*	Manual				

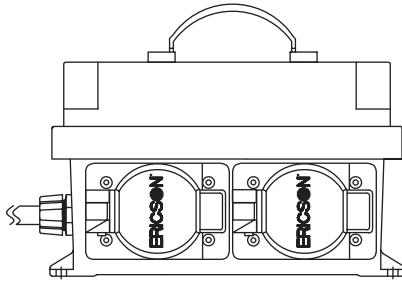
*ARKITS include wire connectors.

1060 & 1070 Series Multiple Outlet Portable GFCI

120-Volt, 15 & 20-Amp, Straight & Locking Configurations



1060 Series



1070 Series

Industry Leading Features:

- ☞ Complies with the latest US, Canadian & Mexico Requirements for Self Testing GFCI & Open Neutral Protection
- ☞ UL943-5th Edition - Self testing Compliance
- ☞ Weather resistant polycarbonate, impact resistant enclosure, resists jobsite chemicals and oils
- ☞ GFCI unit with sealed NEMA 4X rated face and buttons
- ☞ Available in Auto and Manual Reset Options
 - 15-20A straight blade & locking configurations

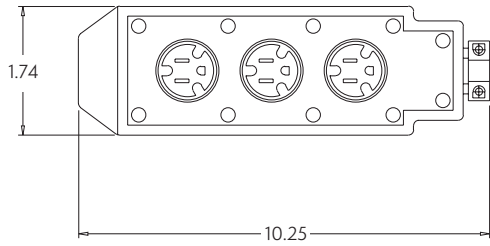
 **Industry Leading, Ericson Exclusive**



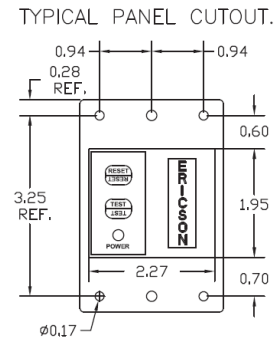
1060 & 1070 Series Selection Guide

Part Number	Voltage	Amperage	Primary Plug	Primary Cord		Reset Type	Protected Receptacles
				Length	Type		
1060 Series with Weather Proof Duplex Receptacles							
1060	120	15	5-15	6'	12/3 SOW	Auto	(2) 5-15 duplex
1061	120	15	L5-15	6'	12/3 SOW	Auto	(2) L5-15 duplex
1062	120	20	5-20	6'	12/3 SOW	Auto	(2) 5-20 duplex
1070 Series with Single Watertight Receptacles							
1070	120	15	5-15	6'	12/3 SOW	Manual	(3) 5-15 Single
1070-A	120	15	5-15	6'	12/3 SOW	Auto	(3) 5-15 Single
1071	120	15	L5-15	6'	12/3 SOW	Manual	(3) L5-15 Single
1071-A	120	15	L5-15	6'	12/3 SOW	Auto	(3) L5-15 Single
1072	120	20	5-20	6'	12/3 SOW	Manual	(3) 5-20 Single
1072-A	120	20	5-20	6'	12/3 SOW	Auto	(3) 5-20 Single
1073	120	20	L5-20	6'	12/3 SOW	Manual	(3) L5-20 Single
1073-A	120	20	L5-20	6'	12/3 SOW	Auto	(3) L5-20 Single
1074	120	20	5-20	6'	12/3 SOW	Manual	(2) L5-20, (1) 5-20
1074-A	120	20	5-20	6'	12/3 SOW	Auto	(2) L5-20, (1) 5-20
1074	120	20	5-20	6'	#12/3 SEO	Manual	(2) L5-20, (1) 5-20
1074-A	120	20	5-20	6'	#12/3 SEO	Auto	(2) L5-20, (1) 5-20

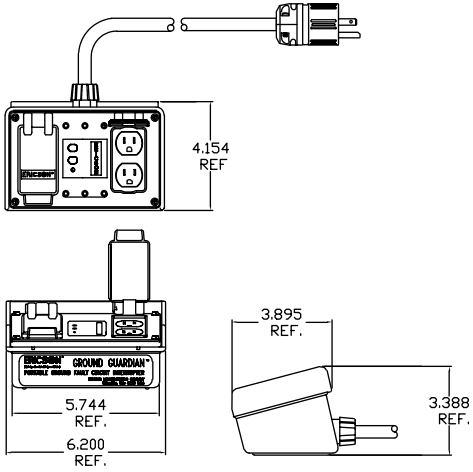
7000 Series Dimensions:



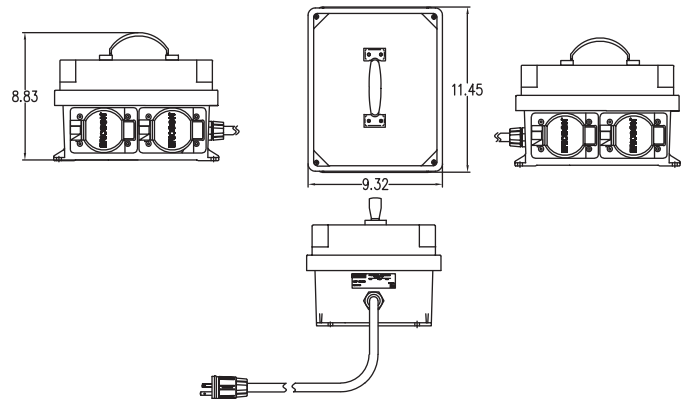
1075 Series Dimensions:



1060 Series Dimensions:



1070 Series Dimensions:



Related Products:

Digital catalog has clickable links below. Click on an image for more information.



[6000/8000 Series Boxes](#)



[Perma-Link](#)



[Perma-Grip](#)



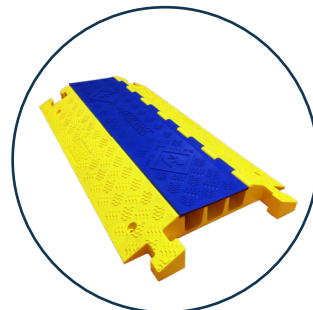
[Perma-Tite](#)



[Smart Monitor](#)



[Industrial Cordsets](#)



[TuffTraxx™](#)



[Factory Assembled Cordsets](#)



SCAN HERE



Manufacturing Electrical Safety Products for over 100 years.

4323 Hamann Parkway
Willoughby, OH 44094
info@ericson.com
ericson.com
1.800.ERICSON
L1000891C

